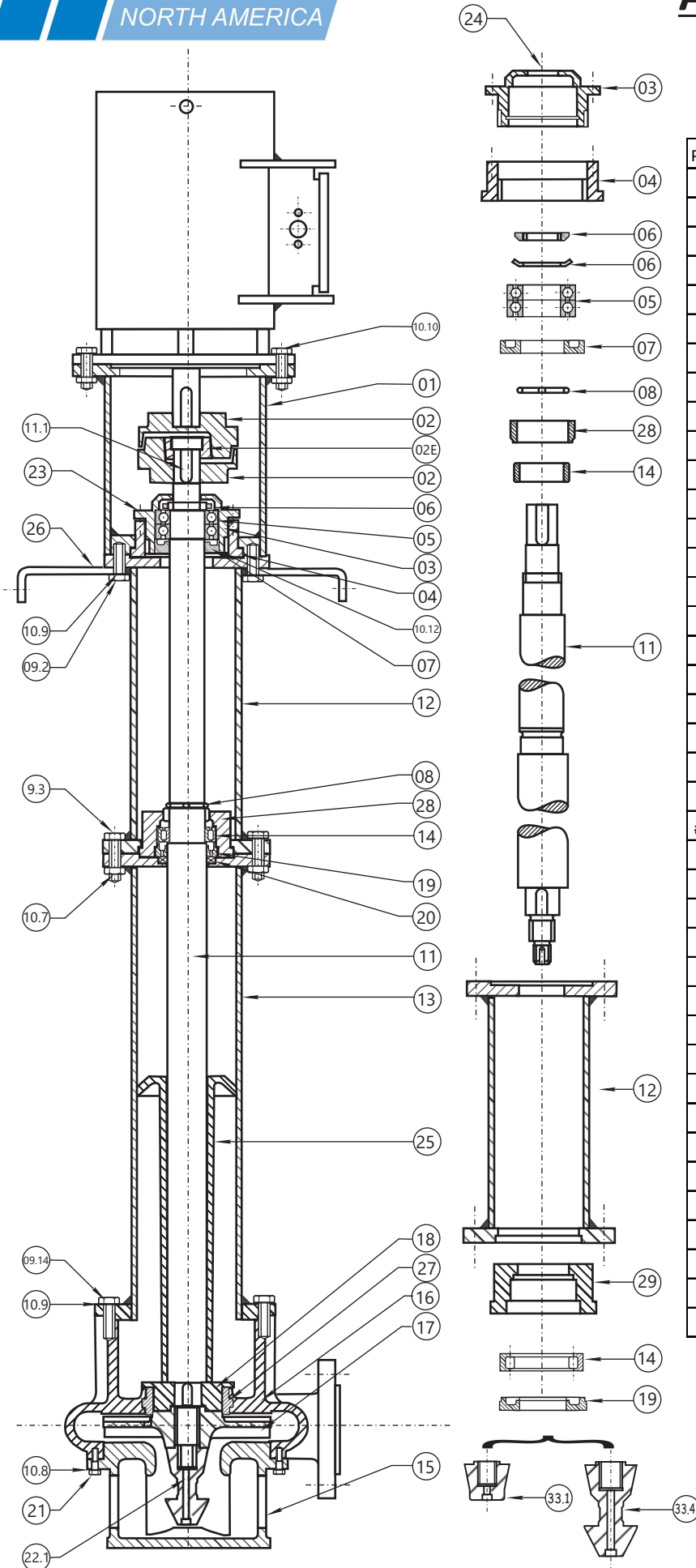


# SERIES 5900 Mk3

## GENERAL ARRANGEMENT

### AND PARTS LIST

Ref No: 5900.MK3.GA/01b  
 Rev: 1  
 20-01-2020



Part No	Description
#01	MOTOR PEDESTAL
#02	COUPLING (COMPLETE)
#02E	COUPLING ELEMENT
#03/5900/MK3	THRUST BEARING HOUSING - 5900
#04/900	BEARING PEDESTAL - 5900
#05/3309 E C3	THRUST BEARING
#06/9 (N&W)	LOCK-NUT & WASHER
#07/5900	BEARING RETAINING RING - 5900
#08/65	SNAP RING Dia 65 Ext
#09.2	M16 x 55 HT BOLT (8 req'd) ea.
#09.3	M16 x 70 HT SET (8 req'd) ea.
#09.14	M16 x 50 HT SET (4 req'd) ea.
#10.7	M16 NYLOC NUT (8 req'd) ea.
#10.8	M12 SPRING WASHER (8 req'd) ea.
#10.9	M16 SPRING WASHER (12 req'd) ea.
#10.10	M16 x 40 HT SET (4 req'd) ea.
#10.12	M8 x 8 GRUB SCREW (1 req'd) ea.
#11/5900MK3	SHAFT
#11.1	10 x 8 x 50 PUMP COUPLING KEY (1 req'd) ea.
#11.2	10 x 8 x 35 FLINGER KEY (1 req'd) ea.
#12/5900	UPPER COLUMN
#13/5900	LOWER COLUMN
#14/2213 E W C3	LOWER BEARING (1 req'd) ea.
#15	SUCTION INLET
#16	CASING
#17	IMPELLER
#18.1MS	FLINGER
#19/3	SEAL RING
#20	GLAND PACKING
#21	M12 x 30 HT BOLT (8 required) ea.
#22.1	M8 x 90 HT AGITATOR CAP SCREW (1 req'd) ea.
#23	M8 x 25 HT Bolt (8 required) ea.
#24/5900M3	BEARING CARTRIDGE ASSEMBLY *
#25/5900	SHAFT SLEEVE - 5900
#26/5900	PUMP BRACKET (x2)
#27	CASING INSERT
#28	LOWER BEARING SPACER
#29	LOWER BEARING HOUSING
#31.1	IMPELLER LOCK NUT
#33.4P	AGITATOR

19 IMVUBU ROAD  
 SEBENZA, EXT 6  
 EDENVALE  
 SOUTH AFRICA  
 1609

P.O. BOX 1381  
 EDENVALE  
 SOUTH AFRICA  
 1610

TEL: 0861 RNEPUMPS

TEL: +27 (11) 452-3528

RNE@RNEPUMPS.COM WWW.RNEPUMPS.COM