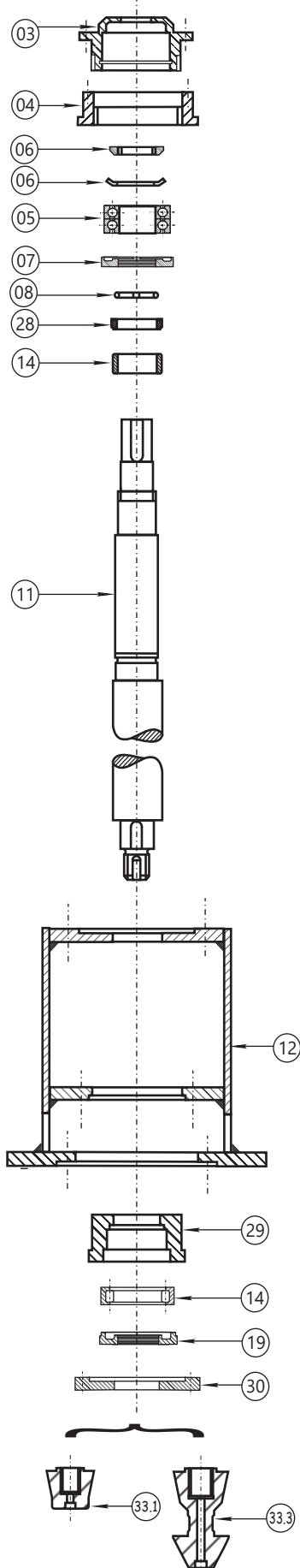
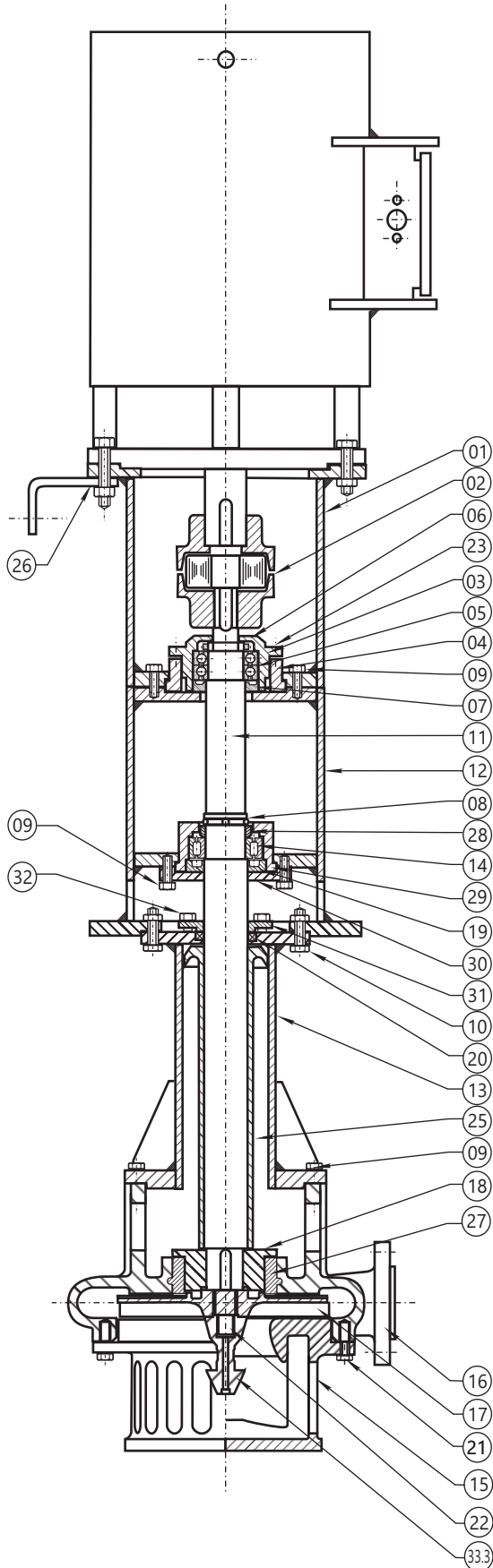




NORTH AMERICA

# SERIES 7700 & 7900 GENERAL ARRANGEMENT AND PARTS LIST

Ref No: 7900.MK2.GA/01b  
Rev: 1  
08/05/2017



Part No	Description
01	Motor Pedestal
02	Coupling (complete)
02E	Coupling Element
03	Thrust Bearing Housing
04	Bearing Pedestal
05	Thrust Bearing 3310 J C3
06	Lock-Nut & Washer
07	Bearing Retaining Ring
08	Snap Ring Dia 65 ext.
09	M16 x 40 Bolt
10	M16 x 55 XOX
11	Shaft
12	Upper Column
13	Lower Column
14	Lower Bearing NU2213 EW C3
15	Suction Inlet
16	Casing
17	Impeller
18	Flinger
19	Seal Ring
20	Gland Packing
21	M12 x 30 bolt
22	M8 x 110 cap screw
23	M8 x 35 cap screw
24	Bearing Cartridge Assembly
25	Shaft Sleeve
26	Pump Bracket
27	Casing Insert
28	Lower Brg. Spacer
29	Lower Brg. Housing
30	Retaining Plate
31	Gland Follower
32	M12 x 50 studs & nuts
33.1	Impeller Lock Nut
33.3	Agitator

19 INVUBU ROAD  
SEBENZA, EXT 6  
EDENVALE  
SOUTH AFRICA  
1609

P.O. BOX 1381  
EDENVALE  
SOUTH AFRICA  
1610

TEL: 0861 RNEPUMPS    TEL: +27 (11) 452-3528  
rne@rnepumps.com    www.rnepumps.com